

Print Menu

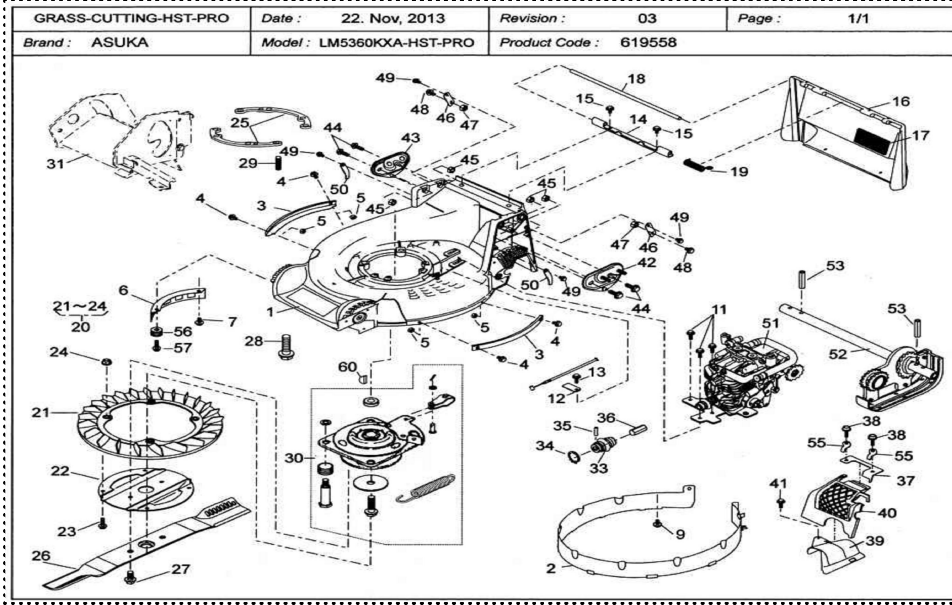
Select brand Product range Model name Search

Select model code ..Choose section < > Reset

Indicate component part ...Choose section < > Reset

Indicate engine model Search ...Choose section < > Reset

※Enter information in the green box to narrow down the search and then click the "Search" button.



(A) LM5360KXA-HST-PRO

(B)

(C)

Ref.No	Parts.No	Parts.Name	(A)Q'ty	(B)Q'ty	(C)Q'ty	Remark
1	51043-151-02	HOUSING	1			
2	36068-204	GUARD	1			
3	51090-117-09	PROTECTOR	2			
4	335L0616	FLANGE BOLT	4			
5	512L0600	HEXAGON NUT	4			
6	36065-180	COVER	1			
7	342L0612	FLANGE TAPPING BOLT	1			
9	342L0612	FLANGE TAPPING BOLT	1			
11	342L0612	FLANGE TAPPING BOLT	3			
12	11113-407	STAY	1			
13	342L0612	FLANGE TAPPING BOLT	1			
14	11113-292	STAY	1			
15	342L0612	FLANGE TAPPING BOLT	2			
16	36068-196-49	GUARD	1			
17	36080-149	RUBBER SHEET	1			
18	64014-324	SHAFT	1			
19	68013-336	SPRING	1			
20	71082-111	FAN ASS Y	1			
21	51125-103	FAN	1			
22	11102-151	HOLDER	1			
23	31062-169	PRE-COAT LOCK BOLT	4			
24	579L0600	FLANGE NUT	4			
25	61024-209	SPACER	2			
26	91014-188	BLADE	1			
27	335M1020	FLANGE BOLT	2			
28	335L1045	FLANGE BOLT	3			
29	31039-116	STUD	1			
30	71182-111	BRAKE SET (BBC)	1			
33	91097-101	UNIVERSAL JOINT	1			
34	812V2000	C-SNAP RING	1			
35	717B0418	PARALLEL PIN	1			
36	64014-367	SHAFT	1			
37	11050-181	FIXING PLATE	1			
38	423L0820	SOCKET SCREW FLANGE	2			
39	36065-453	COVER	1			
40	36065-454	COVER	1			
41	342L0616	FLANGE TAPPING BOLT	1			
42	51116-149	HANDLE BRACKET	1			
43	51116-150	HANDLE BRACKET	1			
44	31057-255	BOLT (M8x25)	4			
45	512L0800	HEXAGON NUT	4			
46	11113-408	STAY	2			
47	512L0800	HEXAGON NUT	2			
48	31057-181	BOLT	2			
49	342L0612	FLANGE TAPPING BOLT	4			
50	11113-415	STAY	2			
51	71906-732	HST ASS Y	1			
53	711V0522	SPRING PIN	2			
55	11011-145	CLAMP	2			
56	11083-270	COLLAR	1			
57	342L0620	FLANGE TAPPING BOLT	1			
60	92038-2099	KEY	1			

Print Menu

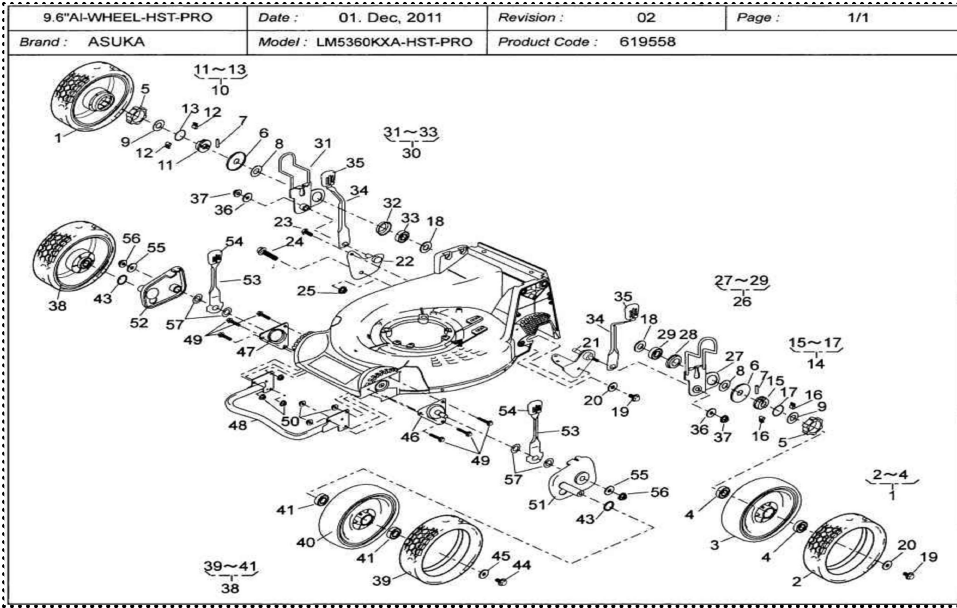
Select brand Product range Model name Search

Select model code ..Choose section < > Reset

Indicate component part ..Choose section < > Reset

Indicate engine model Search ..Choose section < > Reset

※Enter information in the green box to narrow down the search and then click the "Search" button.



(A) LM5360KXA-HST-PRO

(B)

(C)

Ref.No	Parts.No	Parts.Name	(A)Q'ty	(B)Q'ty	(C)Q'ty	Remark
1	71041-144	WHEEL ASS Y	2			
2	91086-116	TIRE	2			
4	916B6002	BEARING (6002DDC3)	4			
5	11086-119	STOPPER	2			
6	61003-112	THRUST PLATE	2			
7	31034-137	PIN	2			
8	68036-270	WASHER (15.2x26x1.6)	2			
9	68036-146	WASHER (16x31.5x1.0)	2			
10	71158-104	RATCHET ASS Y	1			
11	11102-235	HOLDER	1			
12	31034-170	PIN	2			
13	68013-266	SPRING	1			
14	71158-103	RATCHET ASS Y	1			
15	11102-235	HOLDER	1			
16	31034-170	PIN	2			
17	68013-266	SPRING	1			
18	68036-275	WASHER (15.2x26x3.2)	2			
19	31057-181	BOLT	3			
20	68036-101	WASHER (9x25x2.3)	3			
21	11006-162	STAY C.P.	1			
22	11006-152	STAY C.P.	1			
23	342L0612	FLANGE TAPPING BOLT	1			
24	31057-255	BOLT (M8x25)	1			
25	584L0800	U-FLANGE NUT	1			
26	71122-110	ADJUSTER ASS Y	1			
27	11142-125	ADJUSTER	1			
28	11102-228	HOLDER	1			
29	916B6202	BEARING (6202DDC3)	1			
30	71122-111	ADJUSTER ASS Y	1			
31	11142-126	ADJUSTER	1			
32	11102-228	HOLDER	1			
33	916B6202	BEARING (6202DDC3)	1			
34	11150-105-09	ADJUST LEVER	2			
35	36061-121	KNOB	2			
36	613L0800	PLAIN WASHER	2			
37	569L0800	FLANGE NYLON NUT	2			
38	71041-145	WHEEL ASS Y	2			
39	91086-116	TIRE	2			
41	916B6002	BEARING (6002DDC3)	4			
43	51113-119	RING	2			
44	31057-181	BOLT	2			
45	68036-101	WASHER (9x25x2.3)	2			
46	11006-153	STAY C.P.	1			
47	11006-154	STAY C.P.	1			
48	11153-112	BUMPER	1			
49	335L0625	FLANGE BOLT	6			
50	569L0600	FLANGE NYLON NUT	6			
51	11142-127	ADJUSTER	1			
52	11142-128	ADJUSTER	1			
53	11150-109-09	ADJUST LEVER	2			
54	36061-121	KNOB	2			
55	68036-101	WASHER (9x25x2.3)	2			
56	31058-176	HEXAGON NUT	2			
57	68013-393	SPRING	4			

Print Menu

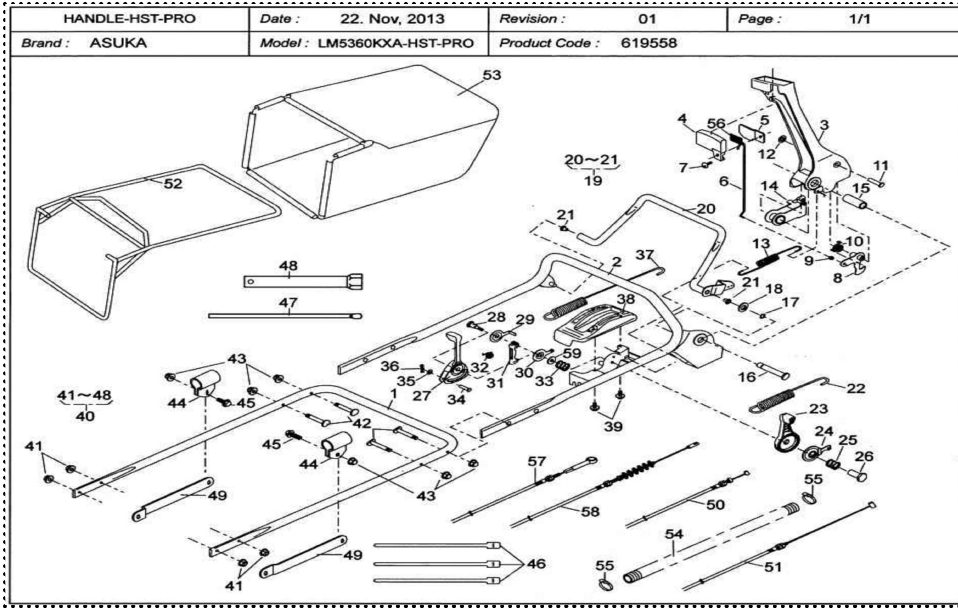
Select brand Product range Model name Search

Select model code ..Choose section < > Reset

Indicate component part ..Choose section < > Reset

Indicate engine model Search ..Choose section < > Reset

※Enter information in the green box to narrow down the search and then click the "Search" button.



(A) LM5360KXA-HST-PRO

(B)

(C)

Ref.No	Parts.No	Parts.Name	(A)Q'ty	(B)Q'ty	(C)Q'ty	Remark
1	51027-268-103	HANDLE	1			
2	51027-269-103	HANDLE	1			
3	11095-172	LEVER	1			
4	36110-102	BUTTON	1			
5	11049-109	SLIDE PLATE	1			
6	64014-336	SHAFT	1			
7	376L0612	(+)TRUSS SCREW	1			
8	71203-135	ARM C.P.	1			
9	76007-183	BUSH	1			
10	68013-371	SPRING	1			
11	31056-127	GIB-HEADED PIN	1			
12	576V0600	PUSH NUT	1			
13	68013-392	SPRING	1			
14	11109-111	LINK	1			
15	61023-190	SLEEVE	1			
16	64014-337	SHAFT	1			
17	812V0800	C-SNAP RING	1			
18	613L0800	PLAIN WASHER	1			
19	71161-114-09	LEVER ASS Y	1			
21	76007-131	BUSH	2			
22	68013-385	SPRING	1			
23	91010-147	THROTTLE LEVER	1			
24	61003-113	THRUST PLATE	1			
25	68013-356	SPRING	1			
26	31058-168	HEXAGON NUT	1			
27	11095-162	LEVER	1			
28	31057-249	BOLT	1			
29	61003-118	THRUST PLATE	1			
30	11049-108	SLIDE PLATE	1			
31	11109-112	LINK	1			
32	68013-369	SPRING	1			
33	68013-356	SPRING	1			
34	31056-126	GIB-HEADED PIN	1			
35	613L0600	PLAIN WASHER	1			
36	733L0600	SNAP PIN	1			
37	68013-375	SPRING	1			
38	71900-810	COVER ASS Y	1			
39	470L0514	(+)TAPPING SCREW	2			
40	71906-143		1			
41	569L0800	FLANGE NYLON NUT	4			
42	31057-256	BOLT	4			
43	583L0800	FLANGE CAP NUT	6			
44	11012-132	HANGER BAND	2			
45	31057-181	BOLT	2			
46	68028-118	WIRE BAND (GT280)	3			
47	66008-103	PLUG BOX BAR (8x200)	1			
48	66006-125	BOX SPANNER	1			
49	71900-846	BAR SET	1			
50	91001-328	THROTTLE WIRE	1			
51	91003-168	CONTROL CABLE(BBC)	1			
52	11062-178	FRAME C.P.	1			
53	36098-136	GRASS BAG C.P.	1			
54	41003-201	TUBE (15.6x800L)	1			
55	68028-119	WIRE BAND (SHT18R-W)	2			
56	36080-156	RUBBER SHEET	1			
57	91003-178	CONTROL CABLE	1			
58	91003-181	CONTROL CABLE	1			
59	61003-109	THRUST PLATE	1			

Print Menu

Select brand: ASUKA Product range: Lawn Mower Model name: LM5360KXA-HST-PRO Search

Select model code: 619558 : LM5360KXA-HST-558 RD ..Choose section: BBC UNIT < > Reset

Indicate component part: ..Choose section: < > Reset

Indicate engine model: FC180V-DC50 Search ..Choose section: Choose. < > Reset

※Enter information in the green box to narrow down the search and then click the "Search" button.

ブレーキセット	日付: 2013.02.15	履歴: 02	ページ: 1/1
製品番号: 71182-111	モデル:		

(A) 71182-111

(B)

(C)

Ref.No	Parts.No	Parts.Name	(A)Q'ty	(B)Q'ty	(C)Q'ty	Remark
1	71182-111	BRAKE SET (BBC)	1			
2	71067-119	BRAKE ASS Y	1			
3	L51294700	BOLT	4			
4	L50749600	WASHER	1			
5	68013-320	SPRING	4			
6	611L0800	PLAIN WASHER	4			
7	61024-149	SPACER	1			

Print Menu

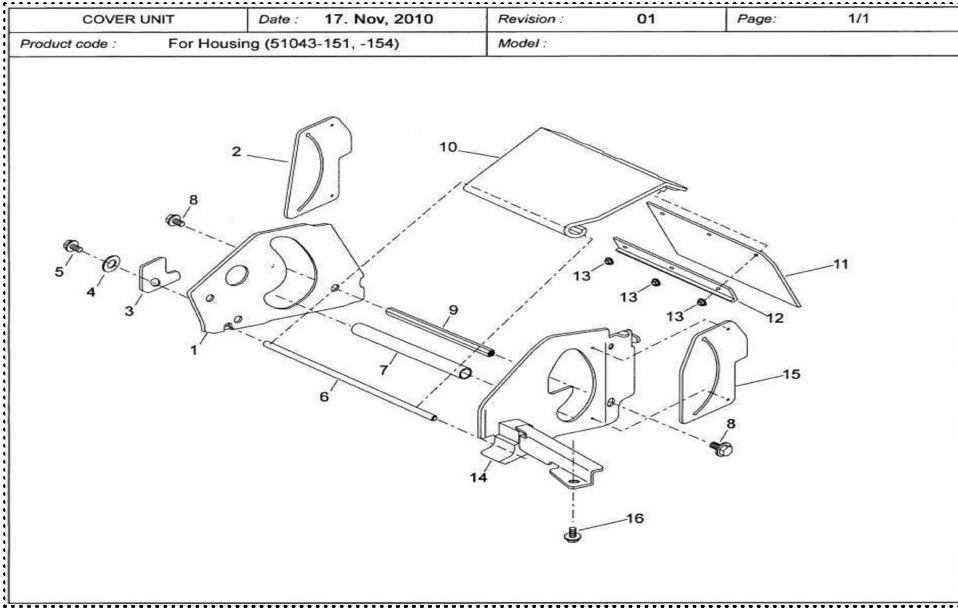
Select brand Product range Model name Search

Select model code ..Choose section < > Reset

Indicate component part ..Choose section < > Reset

Indicate engine model Search ..Choose section < > Reset

※Enter information in the green box to narrow down the search and then click the "Search" button.



(A) For Housing (51043-151.-154)

(B)

(C)

Ref.No	Parts.No	Parts.Name	(A)Q'ty	(B)Q'ty	(C)Q'ty	Remark
1	11006-166	STAY C.P.	1			
2	36080-154	RUBBER SHEET	1			
3	11113-420	STAY	1			
4	613L0800	PLAIN WASHER	1			
5	423U0812	SOCKET SCREW FLANGE	1			
6	64014-373	SHAFT	1			
7	11083-387	COLLAR	1			
8	31057-181	BOLT	2			
9	64014-374	SHAFT	1			
10	51079-124	COVER C.P.	1			
11	36080-153	RUBBER SHEET	1			
12	11050-182	FIXING PLATE	1			
13	569L0400	FLANGE NYLON NUT	3			
14	11006-167	STAY C.P.	1			
15	36080-155	RUBBER SHEET	1			
16	342L0612	FLANGE TAPPING BOLT	1			

Print Menu

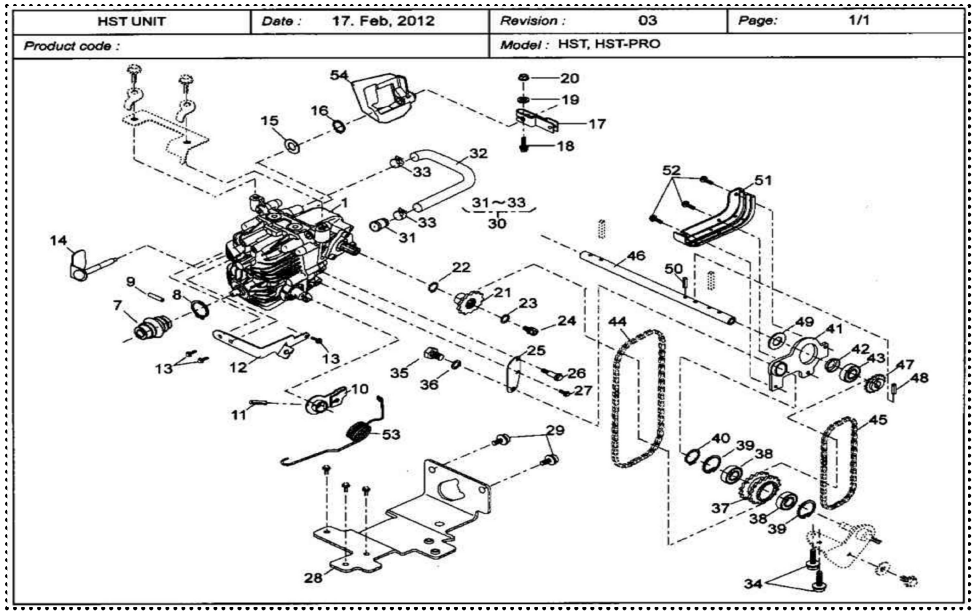
Select brand Product range Model name Search

Select model code ..Choose section < > Reset

Indicate component part ..Choose section < > Reset

Indicate engine model Search ..Choose section < > Reset

※Enter information in the green box to narrow down the search and then click the "Search" button.



(A)
(B)
(C)

Ref.No	Parts.No	Parts.Name	(A)Q'ty	(B)Q'ty	(C)Q'ty	Remark
1	71906-732	HST ASS Y	1			
7	91097-101	UNIVERSAL JOINT	1			
8	812V2000	C-SNAP RING	1			
9	717B0418	PARALLEL PIN	1			
10	51042-126	LEVER C.P.	1			
11	711V0432	SPRING PIN	1			
12	51002-121	WIRE HOLDER	1			
13	335L0612	FLANGE BOLT	3			
14	71203-139	ARM C.P.	1			
15	68036-280	WASHER (10.5x18x1.6)	1			
16	812V1000	C-SNAP RING	1			
17	11104-119	ARM	1			
18	320L0525	(+)HEX. BOLT(W/PW)	1			
19	611L0500	PLAIN WASHER	1			
20	571L0500	FLANGE NUT	1			
21	36112-142	SPROCKET	1			
22	812V1500	C-SNAP RING	1			
23	68036-125	WASHER (6.5x18x1.6)	1			
24	312L0612	HEXAGON BOLT(W/SW)	1			
25	11113-414	STAY	1			
26	31062-109	PRE-COAT LOCK BOLT	1			
27	335L0612	FLANGE BOLT	1			
28	11137-131	BASE C.P.	1			
29	423U0816	SOCKET SCREW FLANGE	2			
30	71900-980	AIR BREATHER ASS Y	1			
31	91096-103	BREATHER	1			
32	36082-125	TUBE	1			
33	68031-144	HOSE BAND	2			
34	423U0820	SOCKET SCREW FLANGE	2			
35	311K0812	HEX. BOLT	1			
36	661L0800	SPRING LOCK WASHER	1			
37	36112-143	SPROCKET	1			
38	916B6002	BEARING (6002DDC3)	2			
39	811V3200	C-SNAP RING	2			
40	812V1500	C-SNAP RING	1			
41	11115-124	TENSION ARM	1			
42	11102-228	HOLDER	1			
43	916B6202	BEARING (6202DDC3)	1			
44	91074-142	CHAIN (DID35E-40RE)	1			
45	91074-143	CHAIN (DID35E-29RB)	1			
46	64014-366	SHAFT	1			
47	36112-144	SPROCKET	1			
48	31034-137	PIN	1			
49	68036-275	WASHER (15.2x26x3.2)	1			
50	711V0522	SPRING PIN	1			
51	36068-200	GUARD	1			
52	318L0612	(+)HEX. BOLT(W/SW)	3			
53	68013-390	SPRING	1			
54	36065-479	COVER	1			

Print Menu

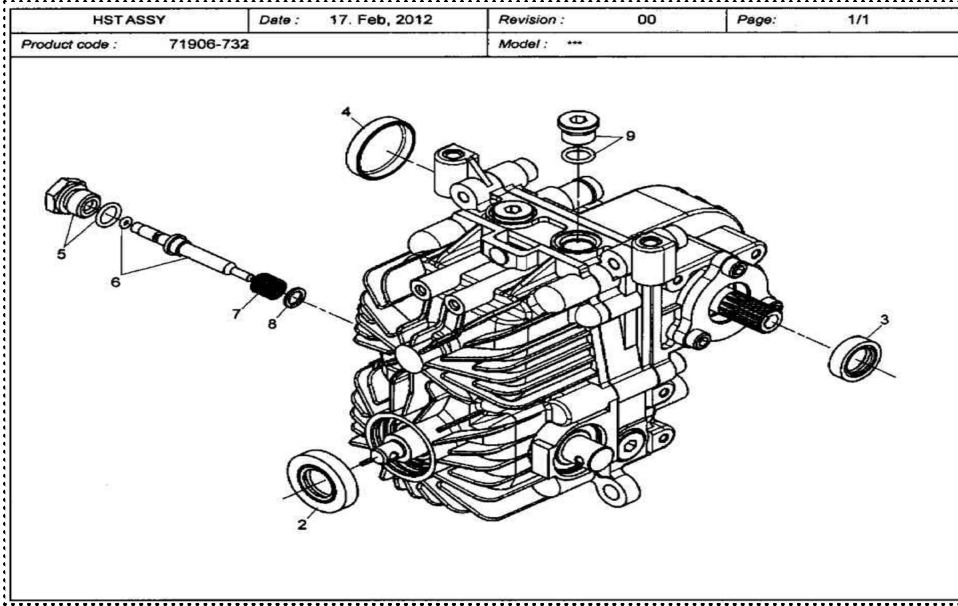
Select brand Product range Model name Search

Select model code ..Choose section < > Reset

Indicate component part ..Choose section < > Reset

Indicate engine model Search ..Choose section < > Reset

※Enter information in the green box to narrow down the search and then click the "Search" button.



(A)
(B)
(C)

Ref.No	Parts.No	Parts.Name	(A)Q'ty	(B)Q'ty	(C)Q'ty	Remark
1	71906-732	HST ASS Y	1			
2	61002-201	OIL SEAL (TC17357)	1			
3	61002-200	OIL SEAL (TC15247)	1			
4	91033-106	BLIND COVER	1			
5	71906-208	BYPASS PLUG ASSY	1			
6	71906-207	BYPASS SHAFT ASS Y	1			
7	68013-420	SPRING	1			
8	68036-294	WASHER	1			
9	71906-211	PLUG ASS Y	1			